

Premium-sound Cabinet Loudspeaker Range

www.boschsecurity.com



BOSCH

Invented for life



- ▶ High-fidelity music and speech reproduction
- ▶ Selectable 8 ohm, 70 V and 100 V inputs
- ▶ Compact yet robust ABS enclosure
- ▶ Supplied with adjustable mounting bracket
- ▶ Water and dust protected IP65

The LB2-UCxx-x1 Premium-sound cabinet loudspeakers are intended for clear reproduction of speech, foreground and background music to be used in general indoor and outdoor applications. The Premium-sound cabinet loudspeaker range consists of a 15 W and 30 W model, available in a light or dark color. The loudspeakers have selectable 8 ohm, 70 V and 100 V inputs.

The ABS cabinets are fitted with aluminum front-grilles and standard supplied with aluminum bracket.

Typical applications are: theme bars, music restaurants, theme parks, retail outlets, audio visual, boardrooms and offices, exhibition areas, showrooms, fitness centre's and presentation environments.

Certifications and approvals

Quality assurance

All Bosch loudspeakers are designed to withstand operating at their rated power for 100 hours in accordance with IEC 268-5 Power Handling Capacity (PHC) standards. Bosch has also developed the Simulated Acoustical Feedback Exposure (SAFE) test to demonstrate that they can withstand two times

their rated power for short durations. This ensures improved reliability under extreme conditions, leading to higher customer satisfaction, longer operating life, and lessens the chance of failure or performance deterioration.

Safety	acc. to EN 60065
Water and dust protection	acc. to EN 60529 IP 65
Self extinguishing	acc. to UL94 V 0
Chlorine resistant	acc. to IEC60068-2-42
Corrosion resistant	acc. to IEC60068-2-52
Salt mist	acc. to IEC60068-2-11

Installation/configuration notes

The cabinets include a built-in transformer that offers a selection of nominal full power, half power, quarter power or eight power radiation (i.e. in 3 dB steps) for 70 V, 100 V or 8 Ohm bypass.

Selection is done by a convenient switch on the rear enclosure.

A two meter long twin-core loudspeaker cable (in matching color with the cabinet) is connected to the loudspeaker. The core ends are stripped ready for use. The mounting brackets are fitted with anti-theft torx screws, covered with plastic covers in matching color of the cabinets.

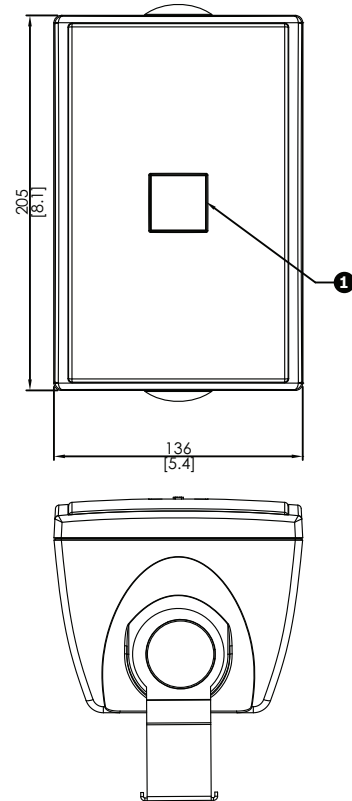
The cabinets can be mounted horizontally to allow the loudspeaker to be directed up or down, or vertically to allow left and right rotation by means of a steel U-shaped wall bracket (standard supplied).

The rotatable logo can be easily adjusted to match the mounting orientation.

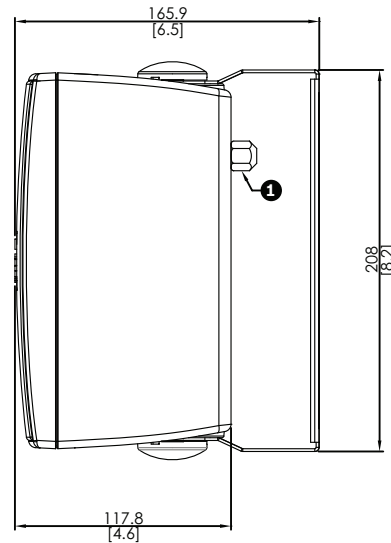


Rear view LB2-UC15-x1 / LB2-UC30-x1

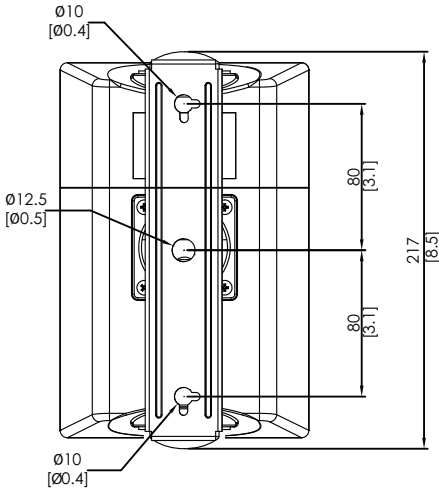
LB2-UC15-D1/L1



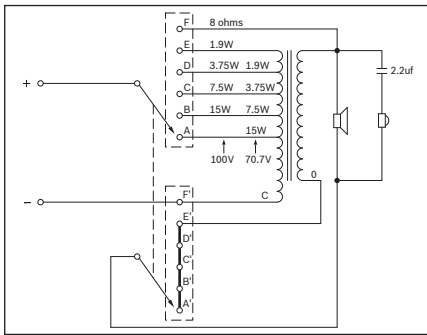
Front and top view mm (in). (1) Rotatable logo.



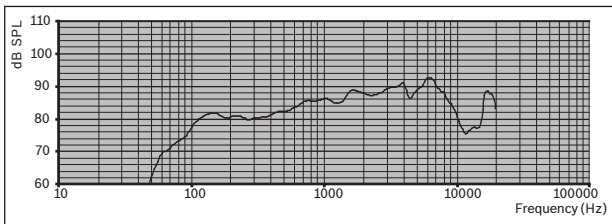
Side view mm (in). (1) Power tapping switch.



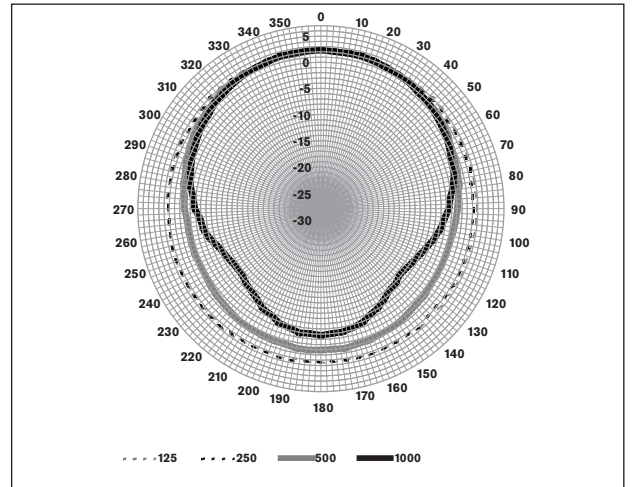
Rear view mm (in).



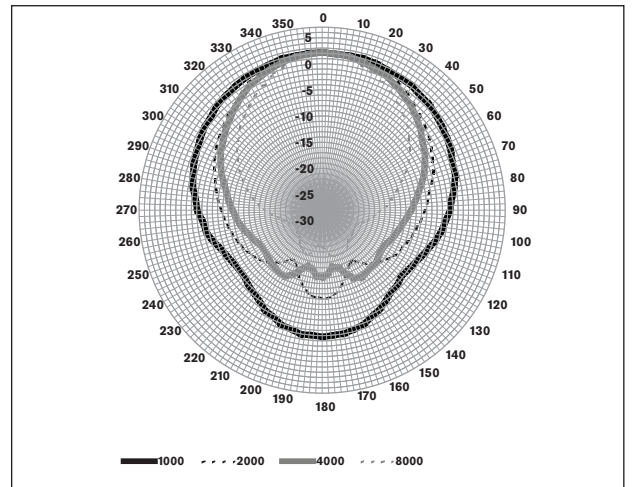
LB2-UC15-x1 Circuit diagram



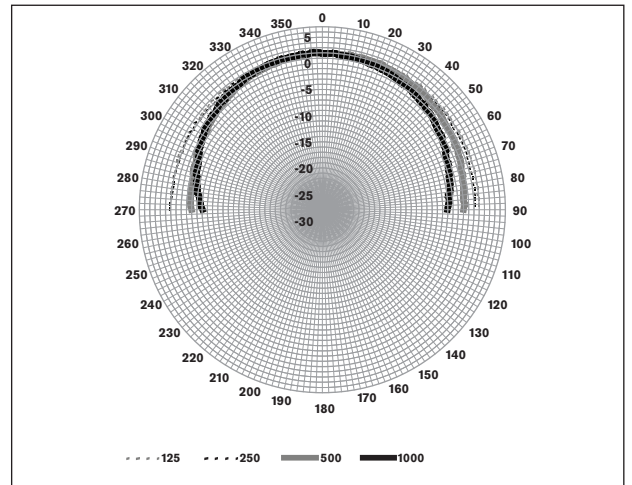
LB2-UC15-x1 Frequency response



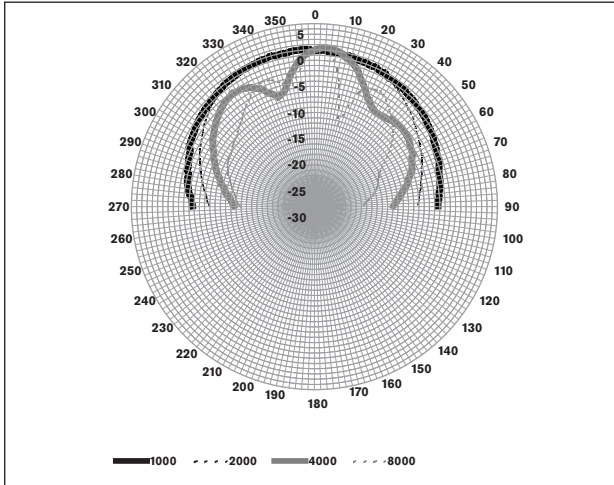
LB2-UC15-x1 Polar diagram horizontal (low frequency). Normalized at 0 degrees axis.



LB2-UC15-x1 Polar diagram horizontal (high frequency). Normalized at 0 degrees axis.



LB2-UC15-x1 Polar diagram vertical (low frequency). Normalized at 0 degrees axis.



LB2-UC15-x1 Polar diagram vertical (high frequency). Normalized at 0 degrees axis.

Octave band sensitivity *

	Octave SPL 1W/1m	Total octave SPL 1W/1m	Total octave SPL Pmax/1m
125 Hz	80.6	-	-
250 Hz	80.4	-	-
500 Hz	82.7	-	-
1000 Hz	85.9	-	-
2000 Hz	87.8	-	-
4000 Hz	88.9	-	-
8000 Hz	88.8	-	-
A-weighted	-	84.7	95.9
Lin-weighted	-	85.0	95.6

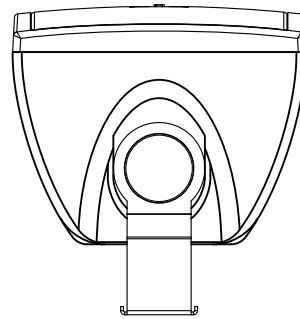
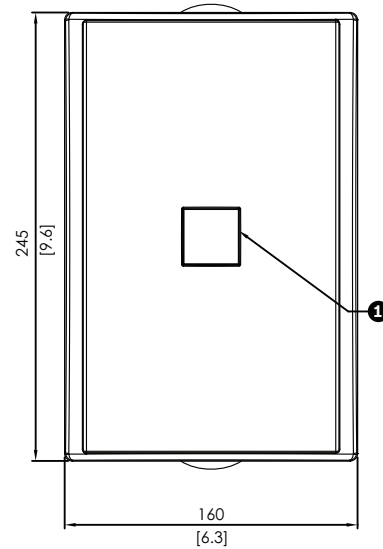
Octave band opening angles

	Horizontal	Vertical
125 Hz	360	> 180
250 Hz	360	> 180
500 Hz	360	> 180
1000 Hz	179	168
2000 Hz	115	121
4000 Hz	101	35
8000 Hz	76	44

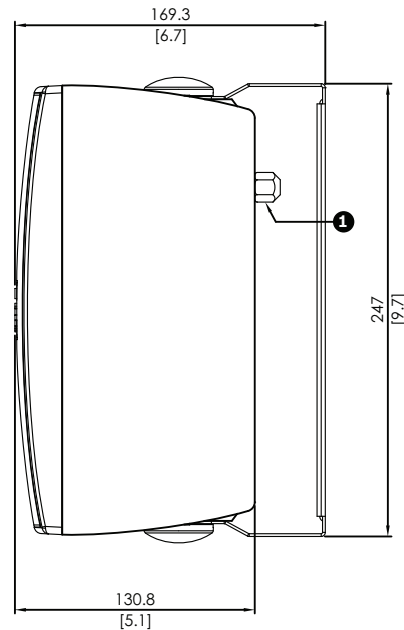
Acoustical performance specified per octave

* (all measurements are done with a pink noise signal; the values are in dB SPL)

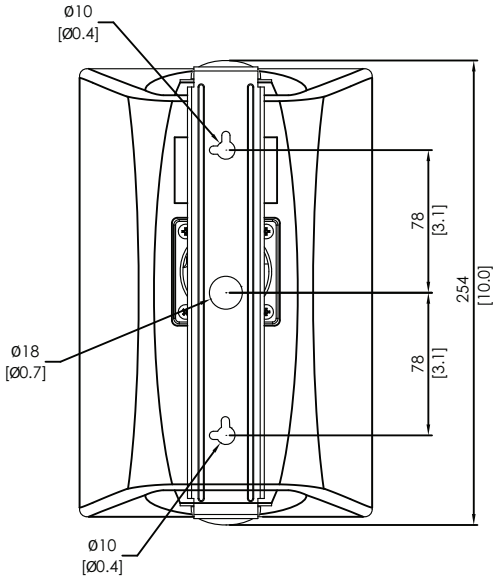
LB2-UC30-D1/L1



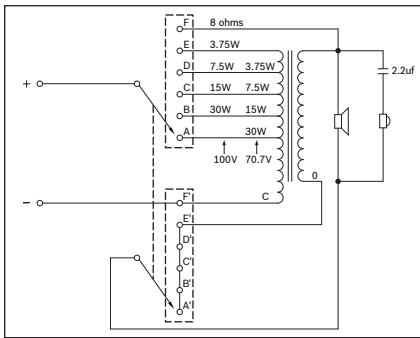
Front and top view mm (in). (1) Rotatable logo.



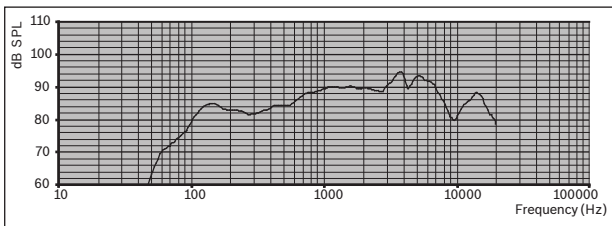
Side view mm (in). (1) Power tapping switch.



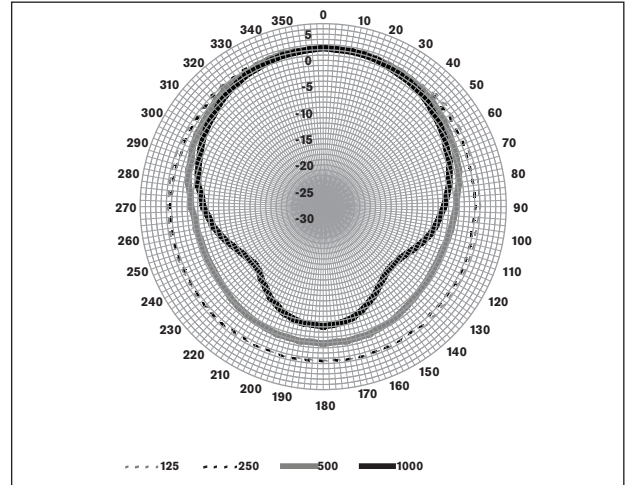
Rear view mm (in)



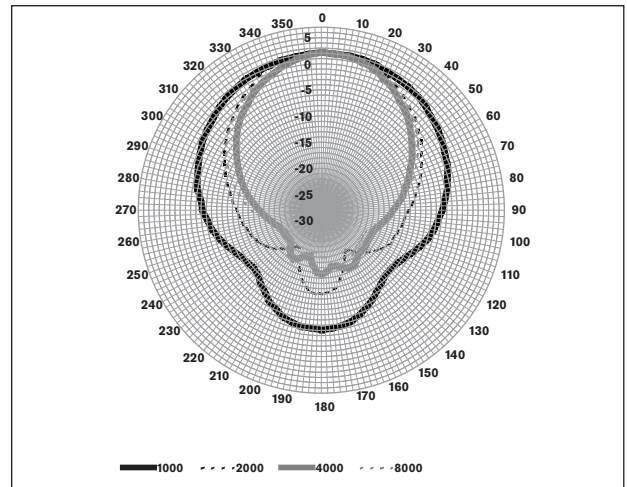
LB2-UC30-x1 Circuit diagram



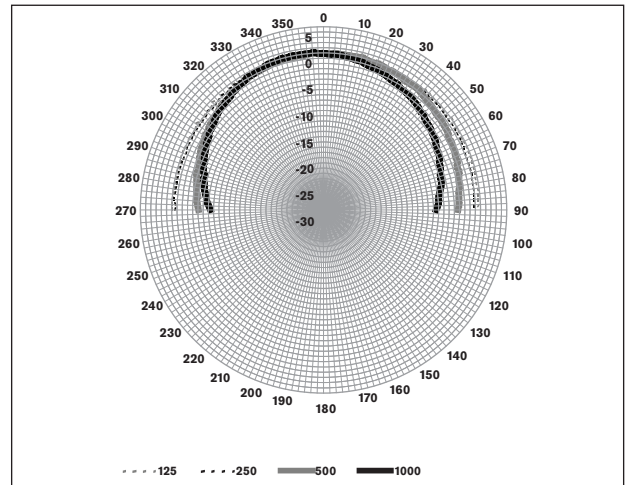
LB2-UC30-x1 Frequency response



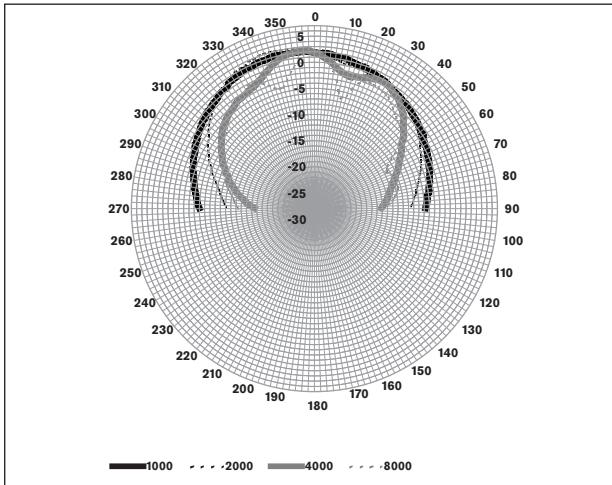
LB2-UC30-x1 Polar diagram horizontal (low frequency). Normalized at 0 degrees axis.



LB2-UC30-x1 Polar diagram horizontal (high frequency). Normalized at 0 degrees axis.



LB2-UC30-x1 Polar diagram vertical (low frequency). Normalized at 0 degrees axis.



LB2-UC30-x1 Polar diagram vertical (high frequency). Normalized at 0 degrees axis.

Parts included

Quantity	Components
1	LB2-UCxx-x1
1	Mounting bracket
1	Installation instruction

Technical specifications

Electrical*

Product	LB2-UC15-D1 LB2-UC15-L1	LB2-UC30-D1 LB2-UC30-L1
Description	Premium-sound Cabinet Loudspeaker	Premium-sound Cabinet Loudspeaker
Maximum power	22.5 W	45 W
Rated power (PHC)	15 W	30 W
Power tapping	15/7.5/3.75/1.9 W	30/15/7.5/3.75 W
Sound pressure level at rated power / 1 W (1 kHz, 1 m)	98/86 dB (SPL)	105/90 dB (SPL)
Effective frequency range (-10 dB)	95 Hz to 19.5 kHz	100 Hz to 18.5 kHz
Opening angle at 1 kHz / 4 kHz (-6 dB)	179° / 101° (hor.) 168° / 35° (ver.)	160° / 81° (hor.) 150° / 90° (ver.)
Rated input voltage	11/70/100 V	15.5/70/100 V
Rated impedance	8/326/667 ohm	8/163/333 ohm

Transducers	101.6 mm (4") woofer, 13 mm (0.51") dome tweeter	127 mm (5") woofer, 13 mm (0.51") dome tweeter
Connection	2 m (78.8 in.) two-wire cable	2 m (78.8 in.) two-wire cable

* Technical performance data acc. to IEC 60268-5

Mechanical

Dimensions (HxWxD)	205x136x117 mm 8.07x5.35x4.60 in	250x 60x140 mm 9.84x6.30x5.51 in
Weight	Approx. 1.9 kg (4.18 lb)	Approx. 2.4 kg (5.29 lb)
Color	White (RAL 9010) (L) or Charcoal (RAL 7021) (D)	White (RAL 9010) (L) or Charcoal (RAL 7021) (D)

Environmental

Operating temperature	-25 °C to +55 °C (-13 °F to +131 °F)
Storage temperature	-40 °C to +70 °C (-40 °F to +158 °F)
Relative humidity	<95%

Ordering information

Premium-sound Cabinet Loudspeaker

Cabinet Loudspeaker 15 W, ABS enclosure, U-bracket mounting, fixed 2 m twin-core connection cable, water- and dust protected IP 65, charcoal RAL 7021. Order number **LB2-UC15-D1**

Premium-sound Cabinet Loudspeaker

Cabinet Loudspeaker 15 W, ABS enclosure, U-bracket mounting, fixed 2 m twin-core connection cable, water- and dust protected IP 65, white RAL 9010. Order number **LB2-UC15-L1**

Premium-sound Cabinet Loudspeaker

Cabinet Loudspeaker 30 W, ABS enclosure, U-bracket mounting, fixed 2 m twin-core connection cable, water- and dust protected IP 65, charcoal RAL 7021. Order number **LB2-UC30-D1**

Premium-sound Cabinet Loudspeaker

Cabinet Loudspeaker 30 W, ABS enclosure, U-bracket mounting, fixed 2 m twin-core connection cable, water- and dust protected IP 65, white RAL 9010. Order number **LB2-UC30-L1**

Represented by:

Americas:

Bosch Security Systems, Inc.
12000 Portland Avenue South
Burnsville MN 55337, USA
Phone: +1-800-392-3497
Fax: +1-800-955-6831
audiosupport@us.bosch.com
www.boschsecurity.com

Europe, Middle East, Africa:

Bosch Security Systems B.V.
P.O. Box 80002
5617 BA Eindhoven, The Netherlands
Phone: + 31 40 2577 284
Fax: +31 40 2577 330
emea.securitysystems@bosch.com
www.boschsecurity.com

Asia-Pacific:

Robert Bosch (SEA) Pte Ltd, Security
Systems
11 Bishan Street 21
Singapore 573943
Phone: +65 6571 2808
Fax: +65 6571 2699
apr.securitysystems@bosch.com
www.boschsecurity.asia

China:

Bosch (Shanghai) Security Systems Ltd.
201 Building, No. 333 Fuquan Road
North IBP
Changning District, Shanghai
200335 China
Phone +86 21 22181111
Fax: +86 21 22182398
www.boschsecurity.com.cn

America Latina:

Robert Bosch Ltda Security Systems Division
Via Anhanguera, Km 98
CEP 13065-900
Campinas, Sao Paulo, Brazil
Phone: +55 19 2103 2860
Fax: +55 19 2103 2862
latam.boschsecurity@bosch.com
www.boschsecurity.com