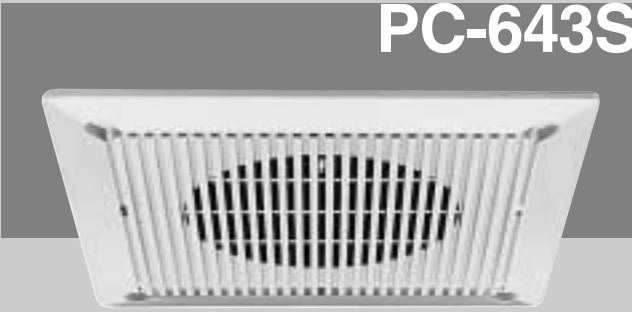
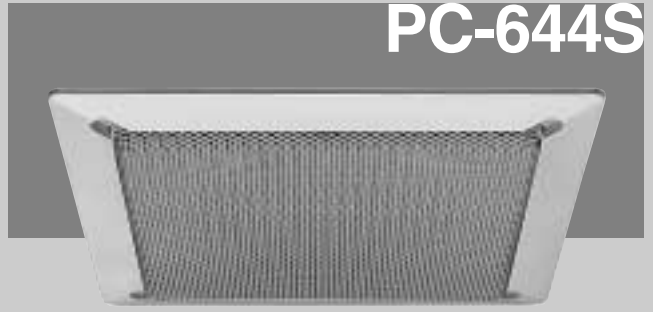


SCREW-IN TYPE CEILING SPEAKERS

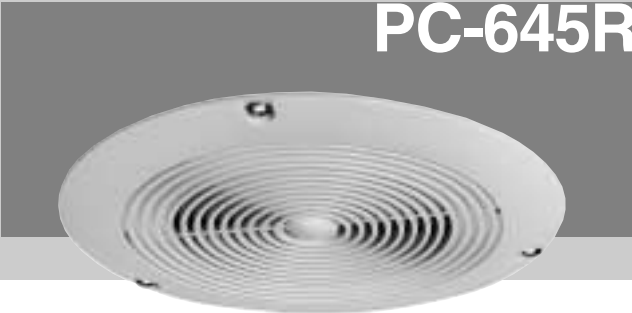
PC-643S



PC-644S



PC-645R



PC-646R



DESCRIPTION

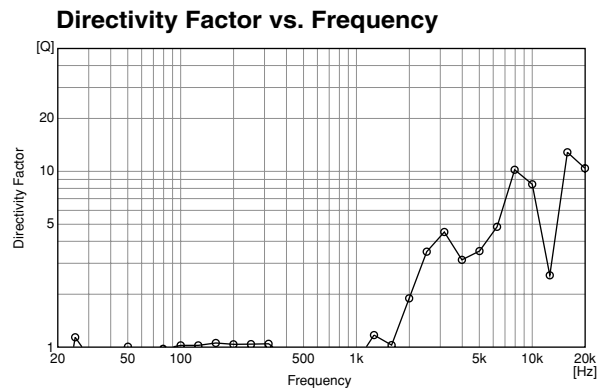
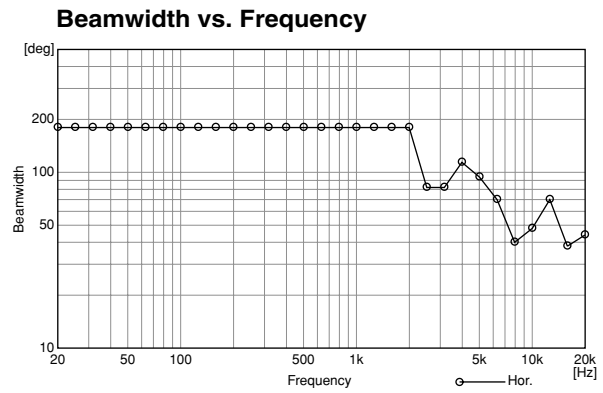
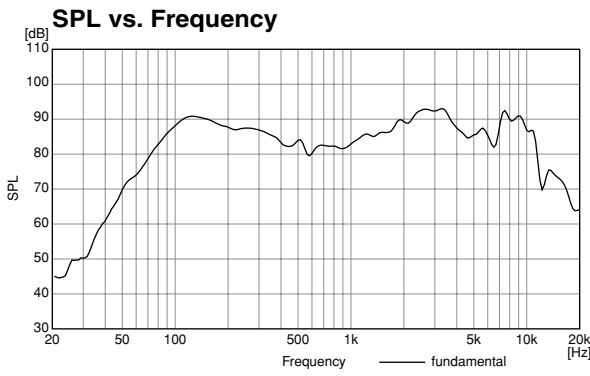
TOA's PC-600 Series Flush-Mounted Ceiling Speakers employ a dynamic, full-range 12cm speaker and feature special screw-in type mountings that ensure safe installations. Four front grilles are available in two shapes for easy matching with virtually any decor. Speaker impedance (wattage) can be easily adjusted to match installation requirements.

FEATURES

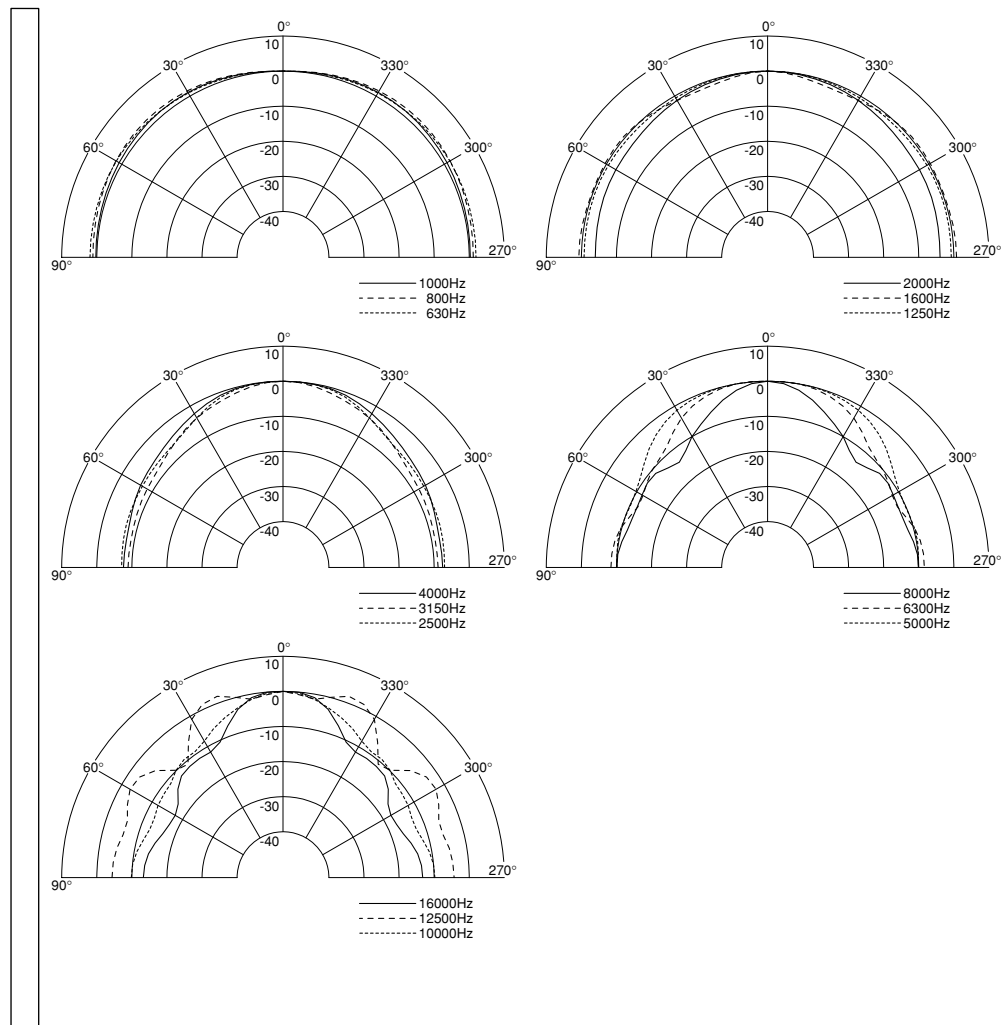
- Flush-mount ceiling type.
- Safe and secure screw-in mounting.
- Built-in 12cm full-range speaker.
- Rated input: 6W (100V line) or 3W (70V line).
- Easy impedance switching: 0.8W, 1.5W, 3W, and 6W (100V line).
- Wide 100 – 12,000Hz frequency range characteristics.
- Four front grilles available:
 - (1) Square, ABS resin panel (PC-643S)
 - (2) Square, ABS resin frame + aluminum net (PC-644S)
 - (3) Round, ABS resin panel (PC-645R)
 - (4) Round, ABS resin frame + aluminum net (PC-646R)

PC-600 Series

CHARACTERISTIC DIAGRAMS



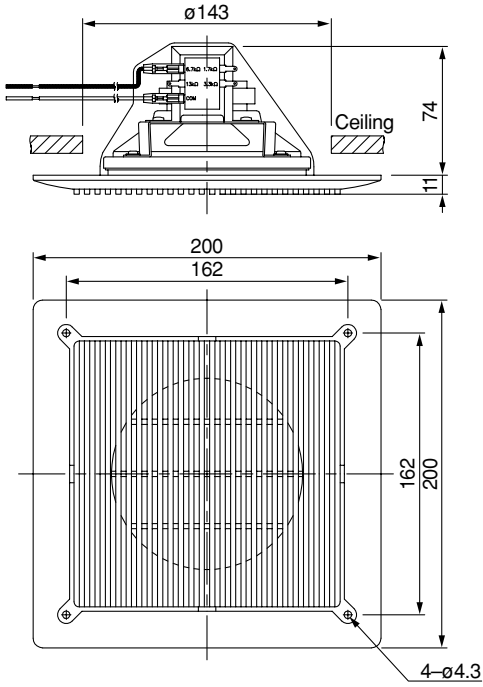
Polar Response



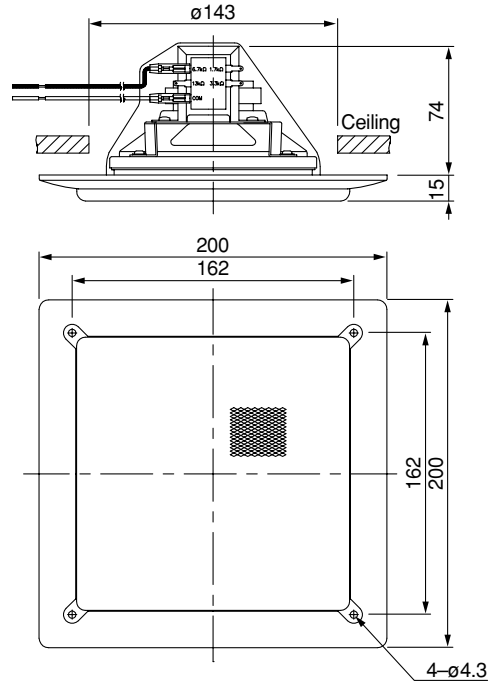
APPEARANCE AND DIMENSIONAL DIAGRAM

Unit: mm

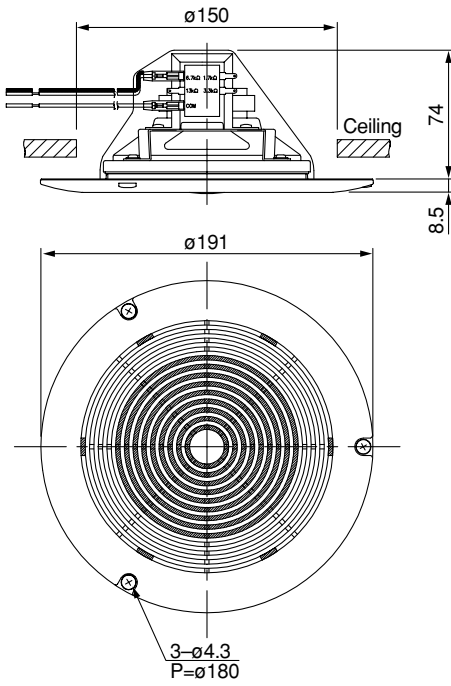
PC-643S



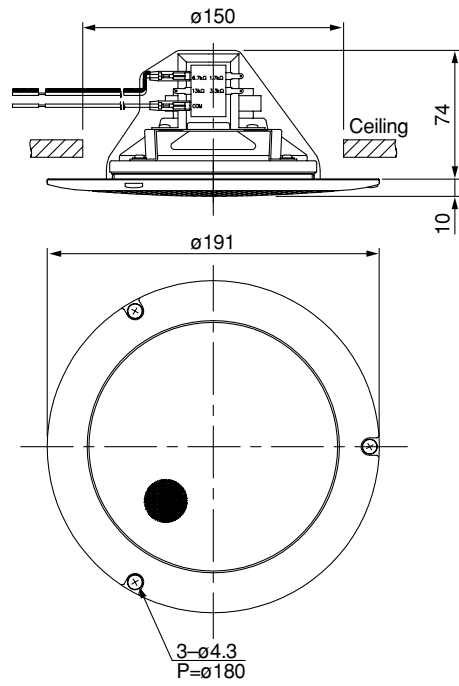
PC-644S



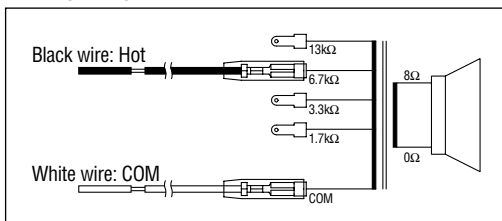
PC-645R



PC-646R



Wiring Diagram



Note: Use transformer terminals when changing input impedance.

SPECIFICATIONS

| | PC-643S | PC-645R | PC-644S | PC-646R |
|------------------------------|---|---|---|--|
| Rated Input | 6 W (for 100 V Line), 3 W (for 70 V Line) | | | |
| Rated Impedance | 100 V line: 1.7 k Ω (6 W), 3.3 k Ω (3 W), 6.7 k Ω (1.5 W), 13 k Ω (0.8 W) 70 V line: 1.7 k Ω (3 W), 3.3 k Ω (1.5 W), 6.7 k Ω (0.8 W), 13 k Ω (0.4 W) | | | |
| Pre-set Impedance | 6.7 k Ω (1.5 W/100 V line, 0.8 W/70 V line) | | | |
| Sensitivity | 90 dB (1 m, 1 W, 330 – 3,300 Hz Pink noise) | | | |
| Frequency Response | 100 – 12,000 Hz | | | |
| Speaker Component | 12 cm dynamic cone-type speaker | | | |
| Ceiling Mounting Hole | ϕ 143 mm | ϕ 150 mm | ϕ 143 mm | ϕ 150 mm |
| Finish | ABS resin panel, off-white (RAL 9010 or equivalent color) | | ABS resin frame, aluminum net, off-white (RAL 9010 or equivalent color) | |
| Dimensions | 200 x 200 x 11 (D)* mm + 74 (D) mm | ϕ 191 x 8.5 (D)* mm + 74 (D) mm | 200 x 200 x 15 (D)* mm + 74 (D) mm | ϕ 191 x 10 (D)* mm + 74 (D) mm |
| Weight | 640 g | 550 g | 660 g | 560 g |
| Accessory | Wood screw \times 4 | Wood screw \times 3 | Wood screw \times 4 | Wood screw \times 3 |

*Exposed section