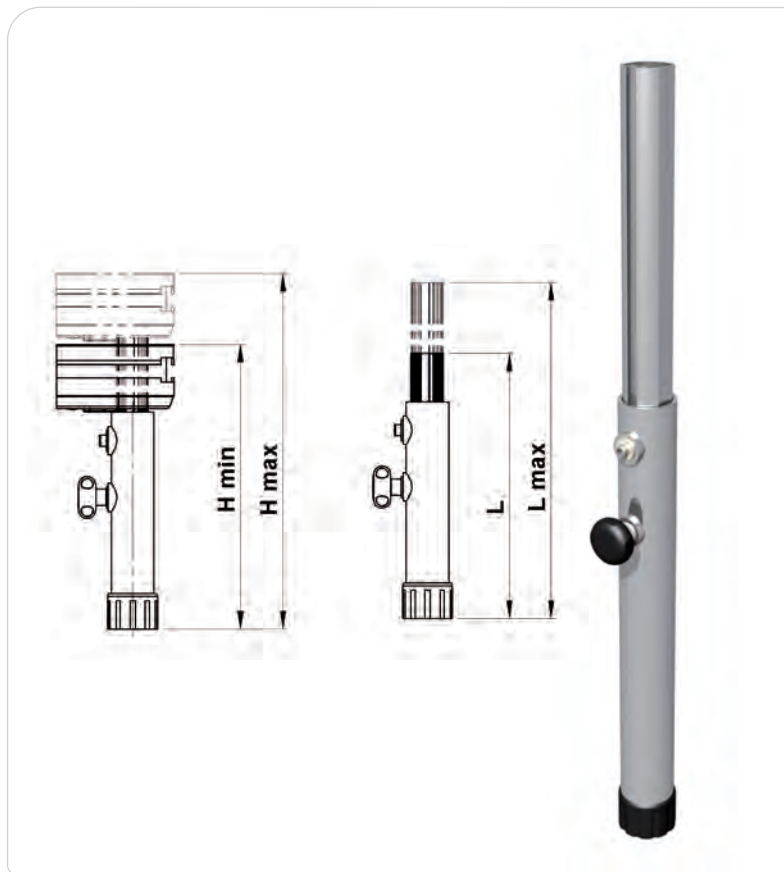


Legs



Telescopic Round Legs (5cm adj steps)

Telescopic legs ensures a fluent regulation of the platform height in the defined range (between H min and H max).

Height adjustment of TT telescopic legs

| code | H min (mm) | H max (mm) |
|----------------|------------|------------|
| ED-TLR-40-60 | 450 | 600 |
| ED-TLR-60-100 | 600 | 900 |
| ED-TLR-80-140 | 900 | 1400 |
| ED-TLR-100-180 | 1000 | 1600 |
| ED-TLR-120-220 | 1200 | 1900 |



Standard Round Legs 48,3x3mm + Castor (wheel)

The length of the leg given by the order sets the height of the platform dimension (H).

Height adjustment of TTP telescopic legs

| code | height |
|-----------|--------|
| ED-SLC-03 | 300 |
| ED-SLC-04 | 400 |
| ED-SLC-03 | 300 |
| ED-SLC-04 | 400 |