



LBC 3018/01 Metal Cabinet Loudspeaker



- ▶ Suitable for speech and music reproduction
- ▶ Robust metal enclosure
- ▶ Surface and/or recessed mounting
- ▶ Provision for internal mounting of the optional line/loudspeaker supervision boards
- ▶ EN 54-24 compliant

The LBC 3018/01 cabinet loudspeaker delivers professional performance from a robust, yet aesthetically designed metal enclosure. It is an ideal loudspeaker for indoor use in offices, schools, car parking, shopping centers and in areas where vandalism is a potential hazard.

The cabinets are equipped with a high efficiency, dual-cone loudspeaker offering a wide frequency range suitable for both speech and music reproduction.

Functions

Voice alarm loudspeakers are specifically designed for use in buildings, where the performance of PA-systems is subject to official regulations. The LBC 3018/01 is designed for voice alarm systems, and is compliant with the EN 54-24 standard.

The loudspeaker has built-in protection to ensure that, in the event of a fire, damage to the loudspeaker does not result in failure of the circuit to which it is connected. In this way, system integrity is maintained, ensuring loudspeakers in other areas can still be used to inform people of the situation. The loudspeaker has a ceramic terminal block, thermal fuse, and heat-resistant, high-temperature wiring.

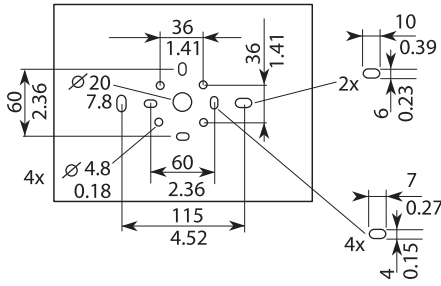
The cabinet has a provision for internally mounting the optional line/loudspeaker supervision board.

Certifications and Approvals

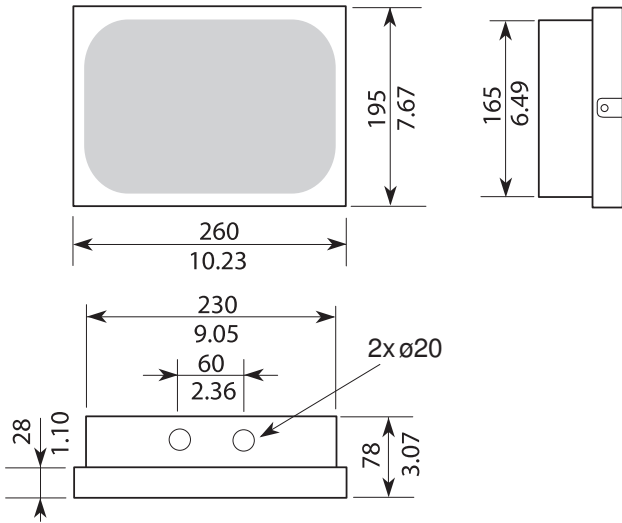
All Bosch loudspeakers are designed to withstand operating at their rated power for 100 continuous hours in accordance with IEC 268-5 Power Handling Capacity (PHC) standards. Bosch has also developed the Simulated Acoustical Feedback Exposure (SAFE) test to demonstrate that they can withstand two times their rated power for short durations. This ensures improved reliability under extreme conditions, leading to higher customer satisfaction, longer operating life, and lessens the chance of failure or performance deterioration.

Safety	According to EN 60065
Emergency	According to BS 5839-8
Water and dust protection	According to EN60529 IP32

Installation/Configuration Notes

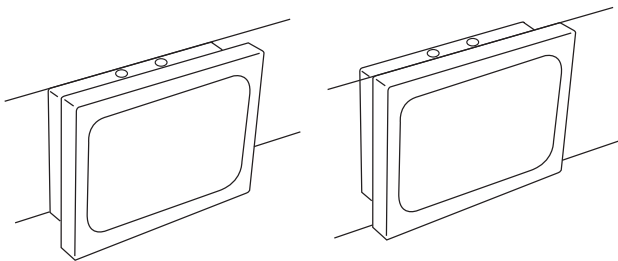


Mounting dimensions in mm (in)



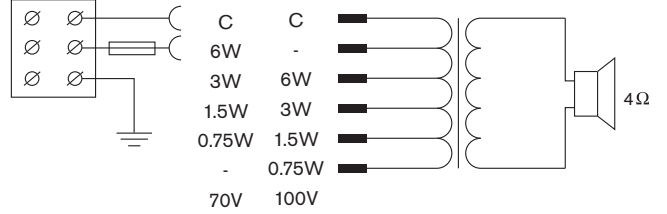
Dimensions in mm (in)

The cabinet is designed for both surface mounting on walls and recessed mounting into brick or concrete walls. The back-box of the cabinet provides a selection of mounting holes, even for mounting onto U40 and MK installation boxes. The back-box has two knockout holes on the topside for two cable glands for loop-through connection. For extra convenience, a safety cord from the back-box lets the installer temporarily hang the front grille unit during installation.

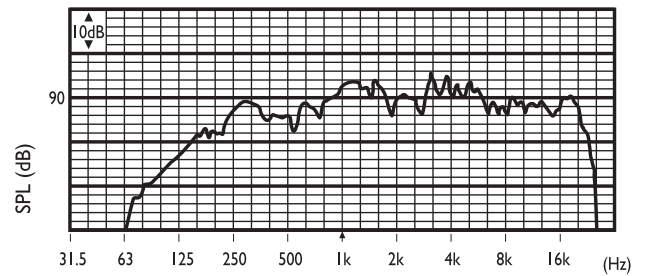


Surface mounted (left) and recessed (right) mounted

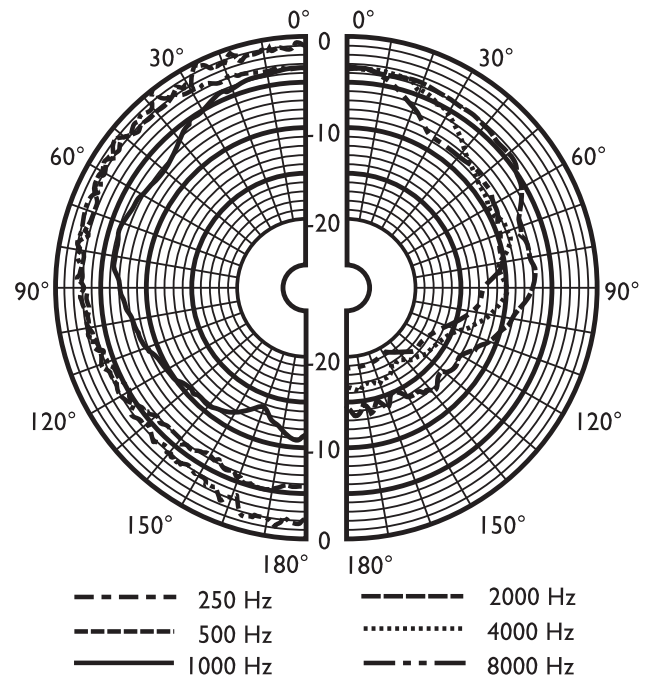
The cabinet has a three-way terminal block with screw connections suitable for loop-through wiring (including earth) Four primary taps are provided on the matching transformer to allow selection of nominal full-power, half-power, quarter-power or eighth power radiation (in 3 dB steps).



Circuit diagram



Frequency response



Polar diagram (measured with pink noise)

	250 Hz	500 Hz	1 kHz	2 kHz	4 kHz	8 kHz
SPL 1.1	84	93	94	97	97	93
SPL max.	92	101	102	105	105	103
Q-factor	2.5	3.3	7.9	8.5	12.9	14.2
Efficiency	0.32	2.2	4	7.1	5.6	2.5
H. angle	180	180	120	85	55	40
V. angle	180	180	80	110	60	35

Acoustical performance specified per octave

Technical Specifications

Electrical*

Maximum power	9 W
Rated power (PHC)	6 W
Power tapping	6 / 3 / 1.5 / 0.75 W
Sound pressure level at 6 W / 1 W (1 kHz, 1 m)	102 dB / 94 dB (SPL)
Effective frequency Range (-10 dB)	150 Hz to 20 kHz
Opening angle at 1 kHz / 4 kHz (-6 dB)	120 ° / 55 °
Rated voltage	70/100 V
Rated impedance	835/1667 ohm
Connector	3-pole screw terminal block

* Technical performance data acc. to IEC 60268-5

Mechanical

Dimensions (H x W x D)	195 x 260 x 80 mm (7.68 x 10.24 x 3.15 in)
Weight	2.6 kg (5.78 lb)
Color	White (RAL 9010)
Speaker size	152.4 mm (6 in)
Magnet weight	150 g (5.3 oz)

Environmental

Operating temperature	-25 °C to +55 °C (-13 °F to +131 °F)
Storage temperature	-40 °C to +70 °C (-40 °F to +158 °F)
Relative humidity	<95%

Ordering Information

LBC 3018/01 Metal Cabinet Loudspeaker **LBC3018/01**
6 W

Americas:

Bosch Communications Systems
12000 Portland Avenue South
Burnsville, Minnesota 55337, USA
Phone: +1-800-392-3497
Fax: +1-800-955-6831
audiosupport@us.bosch.com
www.boschsecurity.com

Europe, Middle East, Africa:

Bosch Security Systems B.V.
P.O. Box 80002
5600 JB Eindhoven, The Netherlands
Phone: +31 40 2577 284
Fax: +31 40 2577 330
emea.securitysystems@bosch.com
www.boschsecurity.com

Asia-Pacific:

Robert Bosch (SEA) Pte Ltd
11 Bishan Street 21
Singapore 573943
Phone: +65 6571 2600
Fax: +65 6571 2698
apr.securitysystems@bosch.com
www.boschsecurity.com

Represented by