



# PLE-1CS Plena All Call Station



The Plena tabletop microphone is a stylish, high-quality tabletop unidirectional condenser microphone, intended for making calls in a public address system. Its heavy metal base and rubber feet ensure stability on any flat surface. The special design also allows the unit to be neatly flush-mounted in desktops.

## Functions

The PTT-key (press-to-talk), not only switches on the microphone, but also provides priority contacts, that are compatible with the Plena range of amplifiers. The switching characteristic of the PTT-key can be configured internally for PTT-mode (on as long as pressed) or toggle-mode (press to switch on, press again to switch off).

It is equipped with a fixed, flexible 2 m cable and a 5-pin Euro style connector for the balanced signal and the priority contact. If the priority contact is not required, the microphone can be connected to amplifiers with 3-pin Euro style connector.

A green LED indicates when the microphone is active.

## Controls and indicators

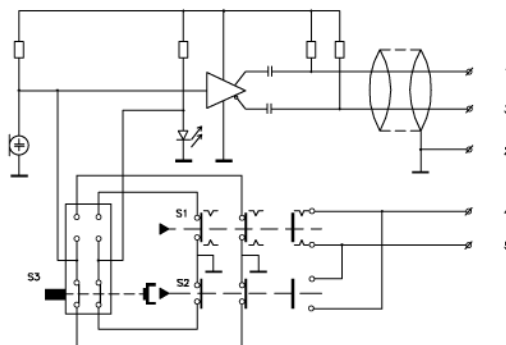
- PTT-key
- PTT status LED

- ▶ PTT-key for calls for activation
- ▶ Momentary or toggle
- ▶ Green LED, indicating microphone active
- ▶ Stable metal base design with fixed 2 m cable and lockable Euro style connector
- ▶ Phantom powered by amplifier

## Certifications and Approvals

Safety	acc. to EN 60065
Immunity	acc. to EN 55103-2
Emission	acc. to EN 55103-1

## Installation/Configuration Notes



Circuit diagram

## Parts Included

### Quantity Component

1 PLE-1CS PLENA All Call Call Station

## Technical Specifications

### Electrical

#### Phantom power supply

Voltage range 12 to 48 V

Current consumption <8 mA

#### Performance

Sensitivity 0.7 mV @ 85 dB SPL (2 mV/Pa)

Maximum input sound level 110 dB SPL

Distortion <0.6% (maximum input)

Input noise level (equiv.) 28 dB SPLA (S/N 66 dBA ref. 1 Pa)

Frequency response 100 Hz to 16 kHz

Output impedance 200 ohm

### Mechanical

Base dimensions (H x W x D) 40 x 100 x 235 mm  
(1.57 x 3.97 x 9.25 in)

Weight Approx. 1 kg (2.2 lb)

Color Charcoal with silver

Stem length with mic. 390 mm (15.35 in)

Cable length 2 m (6.56 ft)

### Environmental

Operating temperature -10 °C to +55 °C (14 °F to +131 °F)

Storage temperature -40 °C to +70 °C (-40 °F to +158 °F)

Relative humidity <95%

## Ordering Information

### PLE-1CS Plena All Call Station

metal base design with fixed 2 m cable and lockable Euro style connector

**Americas:**  
Bosch Security Systems, Inc.  
130 Perinton Parkway  
Fairport, New York, 14450, USA  
Phone: +1 800 289 0096  
Fax: +1 585 223 9180  
security.sales@us.bosch.com  
www.boschsecurity.us

**Europe, Middle East, Africa:**  
Bosch Security Systems B.V.  
P.O. Box 80002  
5600 JB Eindhoven, The Netherlands  
Phone: +31 40 2577 284  
Fax: +31 40 2577 330  
emea.securitysystems@bosch.com  
www.boschsecurity.com

**Asia-Pacific:**  
Bosch Security Systems Pte Ltd  
38C Jalan Pemimpin  
Singapore 577180  
Phone: +65 6319 3450  
Fax: +65 6319 3499  
apr.securitysystems@bosch.com  
www.boschsecurity.com

### Represented by



# PLE-2CS Plena Two-zone Call Station



- ▶ **Modern two-zone call station for the PLE series**
- ▶ **Selectable gain**
- ▶ **Speech filter and limiter**
- ▶ **Output level control**
- ▶ **Loop-through option for up to 8 call stations**
- ▶ **LED indications for zone selection, busy, and power on**

The Plena two-zone call station is a modern, high-quality call station with a stable metal base design, a flexible microphone stem and a unidirectional condenser microphone. It can make calls to selected zones in a public address system built with the PLE series two-zone mixer and mixer amplifiers. In addition to tabletop use, the Plena design allows neat flush-mounting in desktops.

## Functions

### Gain, speech filter and intelligibility

This call station features selectable gain, a selectable speech filter, and a limiter for improved intelligibility.

### Range

The call station has a balanced line level output, giving it a maximum range of 200 meters from the mixer, when using CAT-5 extension cables.

### Loop-through

With the loop-through RJ-45 connector, it is possible to daisy chain multiple call stations.

### Priority

The priority is automatic i.e. the call station nearest the mixer has priority and can override a call station further from the mixer. When a call is being made by a higher priority call station, a yellow light will display on the lower priority call stations.

### Dip switches and status

DIP switches at the base of the call station select different microphone gain levels, chimes, and the speech filter. A service accessible rotary control provides microphone level attenuation. LEDs on the call station show which zones have been selected. An additional LED give visible feedback on the active state of the microphone and the system:

- Green flashing means standby (chime is sounding)
- Green indicates microphone active
- Amber indicates a higher priority call

### Controls and indicators

- 2 x status LEDs
- PTT key
- 2 x zone selection keys
- 2 x zone selection LEDs
- All-call key
- DIP switches
- Rotary volume control

### Interconnections

- 2 x RJ45 jacks

## Certifications and Approvals

Safety	acc. to EN 60065
Immunity	acc. to EN 55103-2
Emission	acc. to EN 55103-1

## Parts Included

Quantity	Components
1	PLE-2CS Plena two-zone call station
1	Cable terminated with a lockable CAT-5 connector

## Technical Specifications

### Electrical

Voltage range	24 VDC supplied by PLE mixer amplifier or mixer
Current consumption	<30 mA

### Performance

Nominal sensitivity	85 dB SPL (gain preset 0 dB)
Nominal output level	700 mV
Input sound level (max)	110 dB SPL
Gain preset	-15 / 0 / +6 dB
Limiter threshold	2 V
Compression ratio limiter	1:20
Distortion	<0.6% (maximum input)
Input noise level (equiv.)	25 dB SPLA
Frequency response	100 Hz to 16 kHz
Speech filter	-3 dB at 315 Hz, high-pass, 6 dB/oct
Output impedance	200 ohm

### Selections

Chimes	6
--------	---

### Mechanical

Base dimensions (H x W x D) without microphone	40 x 100 x 235 mm (1.57 x 3.97 x 9.25 in)
Stem length with microphone	390 mm (15.35 in)
Cable length	5 m (16.4 ft)
Weight	Approx. 1 kg (2.2 lb)
Mounting	Standalone
Color	Charcoal with silver

### Environmental

Operating temperature	-10 °C to +55 °C (14 °F to +131 °F)
Storage temperature	-40 °C to +70 °C (-40 °F to +158 °F)
Relative humidity	<95%

## Ordering Information

### PLE-2CS Plena Two-zone Call Station

metal base design, a flexible microphone stem with a unidirectional condenser microphone and zone selection.

**Americas:**  
Bosch Security Systems, Inc.  
130 Perinton Parkway  
Fairport, New York, 14450, USA  
Phone: +1 800 289 0096  
Fax: +1 585 223 9180  
security.sales@us.bosch.com  
www.boschsecurity.us

**Europe, Middle East, Africa:**  
Bosch Security Systems B.V.  
P.O. Box 80002  
5600 JB Eindhoven, The Netherlands  
Phone: +31 40 2577 284  
Fax: +31 40 2577 330  
emea.securitysystems@bosch.com  
www.boschsecurity.com

**Asia-Pacific:**  
Bosch Security Systems Pte Ltd  
38C Jalan Pemimpin  
Singapore 577180  
Phone: +65 6319 3450  
Fax: +65 6319 3499  
apr.securitysystems@bosch.com  
www.boschsecurity.com

### Represented by



# PLE-WP3S2Z-EU Wall Panel



The Plena PLE-WP3S2Z-EU Wall Panel is used to remotely select a music source and activate or deactivate zones of a Plena PLE audio mixer or mixer amplifier.

## Functions

### Remote zone and Input source control

Two zones and three music input sources can be controlled from a remote location by selecting the individual switches.

### Indicators

The ON status of each zone and selected music source is indicated by an LED.

### Connections and settings

With the use of CAT-5 cable and RJ-45 connector the PLE-WP3S2Z-EU Wall Panel can be easily and quickly connected to the PLE series mixer or mixer amplifier. Settings are not required.

### Daisy chain / Remote locations

Maximum four PLE-WP3S2Z-EU Wall Panels can be daisy chained to remotely control a PLE series mixer or mixer amplifier.

- ▶ Can be used for all Plena Easyline (PLE) mixer-amplifiers
- ▶ Remote selection of three music source inputs
- ▶ Remote zone selection
- ▶ Perfect companion to Bosch volume controls
- ▶ Daisy-chain of multiple wall panels
- ▶ Powered through the Plena system

## Certifications and Approvals

EMC emission	acc. to EN 55103-1
EMC immunity	acc. to EN 55103-2

## Installation/Configuration Notes

The Wall Panel is installed to the mixer or mixer-amplifier via standard CAT-5 cable with RJ-45 connector. The maximum cable distance is 200 m. The design and color are unobtrusive in any interior. Ease of installation, operation and reliability is optimized in the design. The appearance is matched to the Bosch Loudspeaker Volume Controls.

The wall panel buttons have the same function as the corresponding buttons of the Plena mixer front panel

## Parts Included

1	PLE-WP3S2Z-EU Wall Panel
1	Quick Reference Card

## Technical Specifications

### Electrical

#### Power supply

Voltage range	5 VDC, supplied by the connected amplifier
Current consumption (typical)	<50 mA

#### Connectors

to (mixer) amplifier	1 x RJ-45
Loop through	1 x RJ-45

### Mechanical

Dimensions (H x W x D)	87 x 87 x 21 mm (3.43 x 3.43 x 0.83 in)
Weight	Approx. 0.35 kg (0.77 lb)
Color	White
Label text color	Silver

### Environmental

Operating temperature	-10 °C to +55 °C (14 °F to +131 °F)
Storage temperature	-40 °C to +70 °C (-40 °F to +158 °F)
Relative humidity	<95%

## Ordering Information

### PLE-WP3S2Z-EU Wall Panel

remotely select a music source and activate or deactivate zones of a Plena PLE audio mixer or mixer amplifier

**Americas:**  
Bosch Security Systems, Inc.  
130 Perinton Parkway  
Fairport, New York, 14450, USA  
Phone: +1 800 289 0096  
Fax: +1 585 223 9180  
security.sales@us.bosch.com  
www.boschsecurity.us

**Europe, Middle East, Africa:**  
Bosch Security Systems B.V.  
P.O. Box 80002  
5600 JB Eindhoven, The Netherlands  
Phone: +31 40 2577 284  
Fax: +31 40 2577 330  
emea.securitysystems@bosch.com  
www.boschsecurity.com

**Asia-Pacific:**  
Bosch Security Systems Pte Ltd  
38C Jalan Pemimpin  
Singapore 577180  
Phone: +65 6319 3450  
Fax: +65 6319 3499  
apr.securitysystems@bosch.com  
www.boschsecurity.com

### Represented by