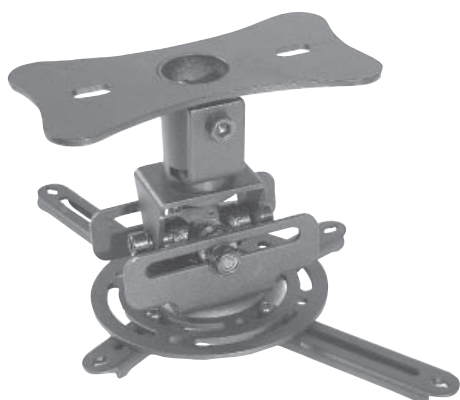


AV817

PROJECTOR FLUSH CEILING MOUNT



DESCRIPTION

A Built-In Low-Profile Option

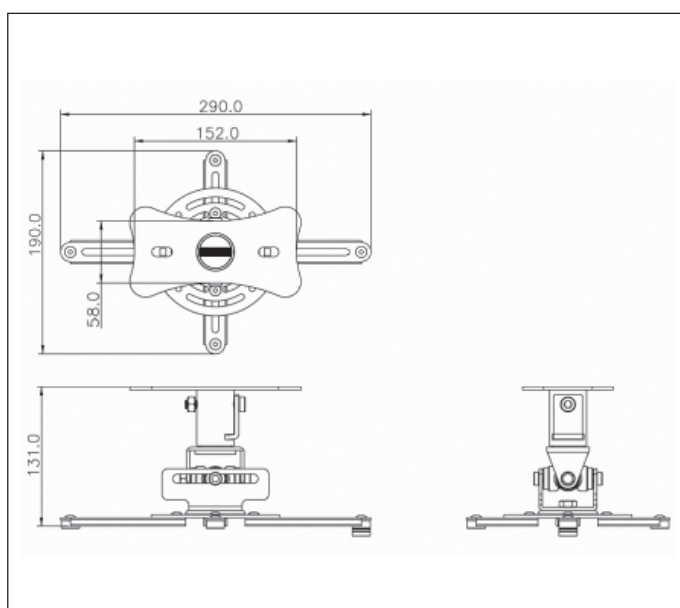
More AV817 Universal Projector Flush Mounts are installed in offices and home than any other mounts. As it gives you everything you would need for a quick, easy installation, low-profile look and hassle-free projector maintenance.

FEATURES

- Fast and easy installation
- Great flexibility and adaptability
- Flush ceiling mount
- Quick release universal mount for Projector
- 360 degrees Rotate for Projector
- +/- 20 degrees Tilt and Roll for Projector
- Concealed cable
- Adaptable to different projector

TECHNICAL SPECIFICATION

GROSS WEIGHT:	2.1kg (6 lbs)
GROSS DIMENSION:	170 X 140 X 130 mm 16.5" x 8" x 5"
LOAD CAPACITY:	20kg (44 lbs)
COLOR OPTION:	Black



* Specifications are subject to change without notice.