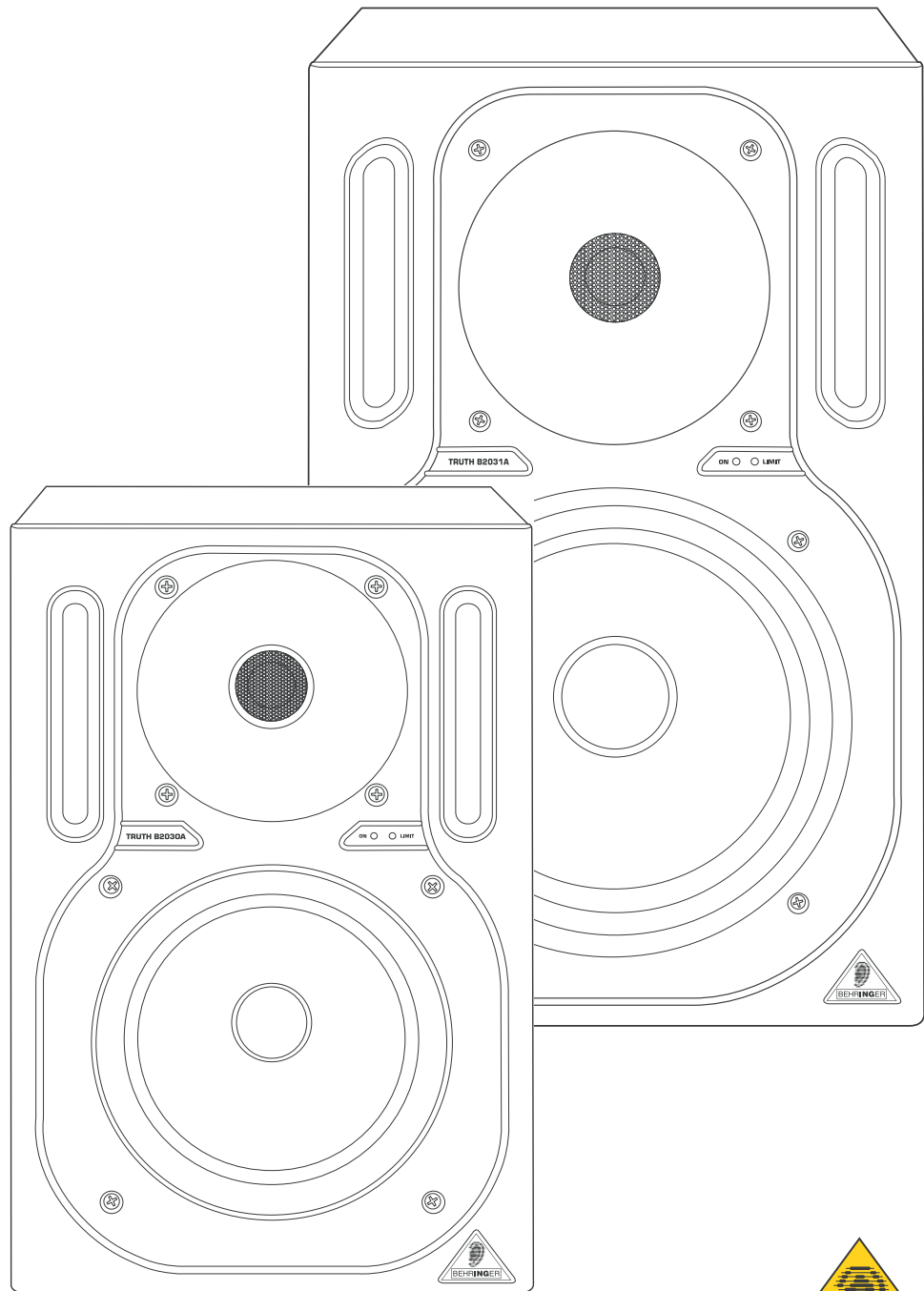


TRUTH B2030A/B2031A

Specifications

00005

en



www.behringer.com



TRUTH

High-Resolution, Active 2-Way Reference Studio Monitor

- ▲ B2030A:
 - Built-in 75- and 35-Watt power amps with enormous power reserve
 - Long-throw 6 ¾" woofer with special polypropylene diaphragm and deformation-resistant aluminum die-cast chassis
- ▲ B2031A:
 - Built-in 150- and 75-Watt power amps with enormous power reserve
 - Long-throw 8 ¾" woofer with special polypropylene diaphragm and deformation-resistant aluminum die-cast chassis
- ▲ Ultra-linear frequency response from 50 Hz to 21 kHz with individual frequency diagrams
- ▲ Ultra-high resolution ferrofluid-cooled tweeter
- ▲ Controlled dispersion characteristics and extremely large "sweet spot" owing to the unique BEHRINGER wave guide technology
- ▲ Active crossover network with 4th order Linkwitz-Riley filters
- ▲ Adjustable to a wide range of acoustic conditions and subwoofer operation
- ▲ Separately controlled limiter for low and high frequency overload protection
- ▲ Automatic standby mode (defeatable)
- ▲ Magnetic shielding allows placement near computer monitors
- ▲ Delivered as "matched pairs" with individual frequency diagrams
- ▲ Servo-balanced inputs with XLR and ¼" TRS connectors
- ▲ High-quality components and exceptionally rugged construction ensure long life
- ▲ Conceived and designed by BEHRINGER Germany

B2030A/B2031A

Specifications

Audio Inputs

B2030A/B2031A

XLR connector	servo-balanced input
1/4" TRS	servo-balanced input
Input impedance	10 kΩ
Max. input level	+22 dBu

Components

B2030A

Tweeter	¾" ferrofluid-cooled dome
Woofers	6 ¾" polypropylene diaphragm

B2031A

Tweeter	1" ferrofluid-cooled dome
Woofers	8 ¾" polypropylene diaphragm

Amplifier

Power Woofer

B2030A/B2031A

RMS @ 0.1 % THD	80 W @ 4 Ω
Peak power	320 W @ 4 Ω

Power Tweeter

B2030A

RMS @ 0.1 % THD	20 W @ 6 Ω
Peak power	80 W @ 6 Ω

B2031A

RMS @ 0.1 % THD	25 W @ 4 Ω
Peak power	100 W @ 4 Ω

Crossover

B2030A/B2031A

Type	active, 4th order Linkwitz-Riley
Crossover frequency	2 kHz

System Specification

B2030A

Frequency response	50 Hz to 21 kHz
Sound pressure level	max. 113 dB SPL @ 1 m (pair)

B2031A

Frequency response	50 Hz to 21 kHz
Sound pressure level	max. 116 dB SPL @ 1 m (pair)

Power Supply

Voltage/Fuses

B2030A

100 - 120 V~, 50/60 Hz	T 2.0 A H 250 V
220 - 230 V~, 50/60 Hz	T 1.6 A H 250 V

B2031A

100 - 120 V~, 50/60 Hz	T 5.0 A H 250 V
220 - 230 V~, 50/60 Hz	T 2.5 A H 250 V

Voltage/Supply current

B2030A

100 - 120 V~, 50/60 Hz	max. 1.0 A
220 - 230 V~, 50/60 Hz	max. 0.5 A

B2031A

100 - 120 V~, 50/60 Hz	max. 2.0 A
220 - 230 V~, 50/60 Hz	max. 1.1 A

Mains connection

B2030A/B2031A	Standard IEC connector
---------------	------------------------

Dimensions/Weight

B2030A

Dimensions (HxWxD)	317 x 214 x 211 mm 12 1/2" x 8 2/5" x 8 1/3"
Weight	9.84 kg 21 2/3 lbs

B2031A

Dimensions (HxWxD)	400 x 250 x 290 mm 15 3/4" x 9 13/16" x 11 3/8"
Weight	15 kg 33 lbs

BEHRINGER is constantly striving to maintain the highest professional standards. As a result of these efforts, modifications may be made from time to time to existing products without prior notice. Specifications and appearance may differ from those listed or illustrated.



Technical specifications and appearance are subject to change without notice. The information contained herein is correct at the time of printing. BEHRINGER accepts no liability for any loss which may be suffered by any person who relies either wholly or in part upon any description, photograph or statement contained herein. Colors and specifications may vary slightly from product. Our Products are sold through authorized dealers only. Distributors and dealers are not agents of BEHRINGER and have absolutely no authority to bind BEHRINGER by any express or implied undertaking or representation. This manual is copyrighted. No part of this manual may be reproduced or transmitted in any form or by any means, electronic or mechanical, including photocopying and recording of any kind, for any purpose, without the express written permission of BEHRINGER International GmbH.

ALL RIGHTS RESERVED.

© 2008 BEHRINGER International GmbH, Hanns-Martin-Schleyer-Str. 36-38, 47877 Willich-Muencheide II, Germany,
Tel. +49 2154 9206 0, Fax +49 2154 9206 4903