



**BOSCH**

Invented for life

# LBC 3482/00 Horn Loudspeaker



- ▶ High efficiency driver
- ▶ Excellent speech reproduction
- ▶ Up to 37.5 W (max power)
- ▶ Provision for inside mounting of the optional line/loudspeaker supervision board
- ▶ Water and dust protected to IP 65
- ▶ Compliant with EVAC standards

Bosch high-efficiency horn loudspeakers provide excellent speech reproduction and sound distribution for a wide scope of outdoor applications. They are ideal for sports grounds, parks, exhibitions, factories and swimming pools.

The LBC 3482/00 is a circular 25 W horn loudspeaker, measuring 355 mm (14 in) in diameter. They are made from aluminum. The edges of the horns are covered with a PVC profile for protection against impact damage. They are light grey (RAL 7035), and are water and dust protected.

### Voice alarm loudspeaker

The LBC 3482/00 is designed for use in voice alarm systems and is compliant with EVAC standards.

The horn loudspeaker has built-in protection to ensure that, in the event of a fire, damage to the loudspeaker does not result in failure of the circuit to which it is connected. In this way, system integrity is maintained; ensuring loudspeakers in other areas can still be used to inform people of the situation. The horn loudspeaker has a ceramic terminal block, thermal fuse and heat resistant, high-temperature wiring.

They have provision for inside mounting the optional line/loudspeaker supervision boards.

### Functions

The rear cover on the horn is made from self-extinguishing ABS (acc. to class UL 94 V0). The connection cable is fed out through a cable gland (PG 13.5) in rear cover. For loop through connection, the rear cover is fitted with a second hole (covered as standard supplied).

These integrated horns are also available as separate horn and driver, allowing installing any combination of horn and driver. See order information for the type numbers.

### Certifications and Approvals

All Bosch loudspeakers are designed to withstand operating at their rated power for 100 hours in accordance with IEC 268-5 Power Handling Capacity (PHC) standards. Bosch has also developed the Simulated Acoustical Feedback Exposure (SAFE) test to demonstrate that they can withstand two times their rated power for short durations. This ensures extra reliability under extreme conditions, leading to higher customer satisfaction, longer operation life, and much less chance of failure or performance deterioration.

Region	Certification
Europe	CE

Safety	acc. to EN 60065
Water and dust protected	acc. to IEC 60529, IP 65
EVAC	acc. to BS 5839-8

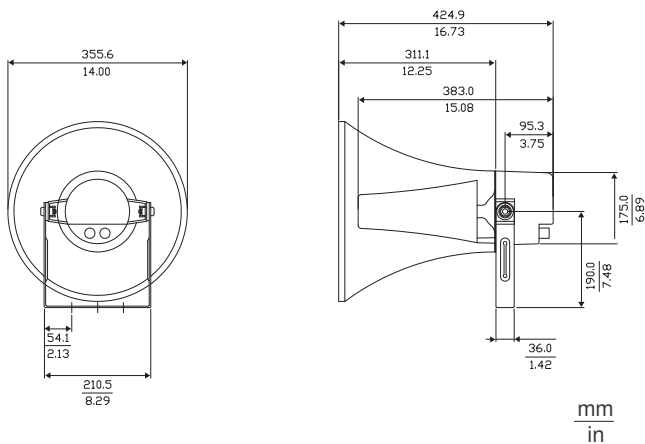
**Installation/Configuration Notes**

**Simple Power Setting**

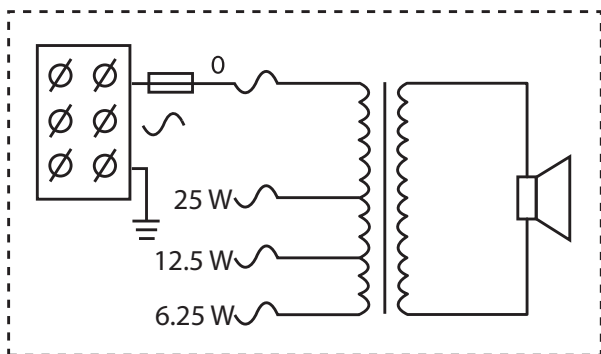
The horn has a three-way terminal block with screw connection (including earth). Three primary taps are provided on the matching transformer to allow selection of nominal full-power, half-power or quarter-power radiation (in 3 dB steps).

**Mounting**

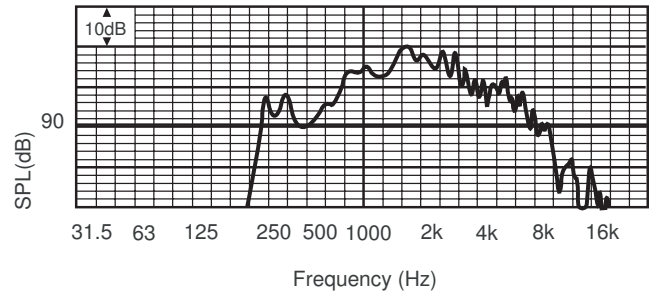
The horn loudspeakers are supplied, complete with sturdy adjustable steel mounting brackets, allowing the sound beam to be accurately directed.



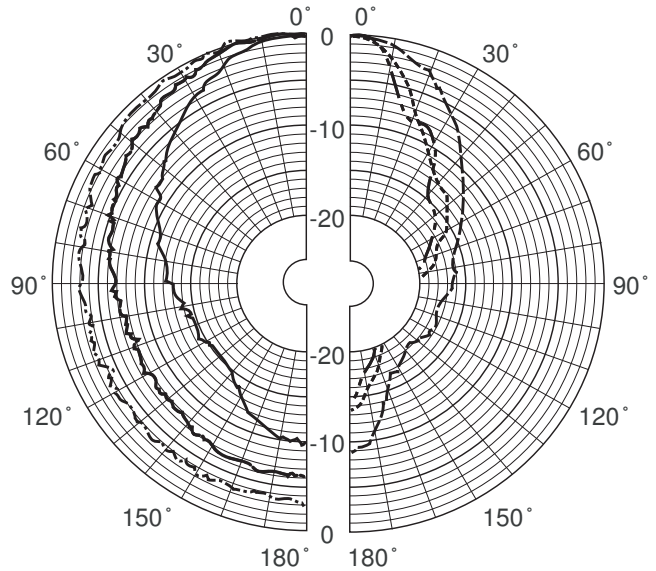
Dimensions in mm (in)



Circuit diagram



Frequency response



- 250 Hz
- 500 Hz
- 1000 Hz
- 2000 Hz
- 4000 Hz
- 8000 Hz

Polar diagram (measured in pink noise)

**Parts Included**

Quantity	Component
1	LBC 3482/00 Horn Loudspeaker
1	PG 13.5 cable gland (fitted)

## Technical Specifications

### Electrical\*

Maximum power	37.5 W
Rated power	25 / 12.5 / 6.25 W
Sound pressure level at 25 W / 1 W (1 kHz, 1 m)	121 dB / 107 dB (SPL)
Effective frequency range (-10 dB)	550 Hz to 5 kHz
Opening angle at 1 kHz/4 kHz (-6 dB)	70° / 25°
Rated voltage	100 V
Rated impedance	400 ohm
Connector	Screw terminal block

\* Technical performance data acc. to IEC 60268-5

### Mechanical

Dimensions (L x Dmax)	425 x 355 mm (16.7 x 14 in)
Weight	3.6 kg (8 lb)
Color	Light grey (RAL 7035)
Cable diameter	6 mm to 12 mm (0.24 in to 0.47 in)

### Environmental

Operating temperature	-25 °C to +55 °C (-13 °F to +131 °F)
Storage temperature	-40 °C to +70 °C (-40 °F to +158 °F)
Relative humidity	<95%

## Ordering Information

<b>LBC 3482/00 Horn Loudspeaker</b> 25 W, aluminum, circular	<b>LBC3482/00</b>
<b>Accessories</b>	
<b>LBC 3472/00 Horn Driver</b> 25 W, 100 V	<b>LBC 3472/00</b>
<b>LBC 3473/00 Horn Driver</b> 35 W, 100 V	<b>LBC 3473/00</b>
<b>LBC 3474/00 Horn Driver</b> 50 W, 100 V	<b>LBC3474/00</b>
<b>LBC 3478/00 Horn, 14" without Driver</b> aluminum, suitable for use with driver units LBC 3472/00, LBC 3473/00, and LBC 3474/00	<b>LBC 3478/00</b>
<b>LBC 3479/00 Horn, 20" without Driver</b> aluminum, suitable for use with driver units LBC 3472/00, LBC 3473/00, and LBC 3474/00	<b>LBC 3479/00</b>

**Americas:**  
Bosch Security Systems, Inc.  
130 Perinton Parkway  
Fairport, New York, 14450, USA  
Phone: +1 800 289 0096  
Fax: +1 585 223 9180  
security.sales@us.bosch.com  
www.boschsecurity.us

**Europe, Middle East, Africa:**  
Bosch Security Systems B.V.  
P.O. Box 80002  
5600 JB Eindhoven, The Netherlands  
Phone: +31 40 2577 284  
Fax: +31 40 2577 330  
emea.securitysystems@bosch.com  
www.boschsecurity.com

**Asia-Pacific:**  
Bosch Security Systems Pte Ltd  
38C Jalan Pemimpin  
Singapore 577180  
Phone: +65 6319 3450  
Fax: +65 6319 3499  
apr.securitysystems@bosch.com  
www.boschsecurity.com

**Represented by**