


**BOSCH**

Invented for life

# LP1-UC10E Unidirectional Sound Projector



- ▶ **Superb speech and music reproduction**
- ▶ **Ease of installation**
- ▶ **Modern unobtrusive styling**
- ▶ **Integrated connection cable**
- ▶ **Suitable for loop-through cabling**
- ▶ **Ceiling and/or wall mounting**
- ▶ **Tough, impact-resistant enclosure**
- ▶ **Water and dust protected to IP 65**
- ▶ **BS 5839-8 compliant**

The LP1-UC10E is a powerful, 10 W sound projector intended for high quality speech and music reproduction in indoor and outdoor applications. The state-of-the-art design is matched to both modern and traditional style environments. The sound projector is suitable for use in voice alarm systems.

other areas can still be used to inform people of the situation. The loudspeaker has a ceramic terminal block, thermal fuse and heat resistant, high-temperature wiring. The sound projector is made from high-impact self-extinguishing ABS according to class UL 94 V0, finished in off-white.

## Functions

### Superb sound quality

The use of a high quality driver in combination with advanced filtering, has resulted in a very natural sound reproduction with excellent bass response.

### Voice alarm loudspeaker

Voice alarm loudspeakers are specifically designed for use in buildings where performance of systems for verbal communication announcements is governed by regulations. The LP1-UC10E is designed for use in voice alarm systems and is compliant with British Standard BS 5839-8. The sound projector is prewired for use with an optional line/loudspeaker supervision board external mounted. The loudspeaker has built-in protection to secure that, in the event of a fire, damage to the loudspeaker does not result in failure of the circuit to which it is connected. In this way, system integrity is maintained, ensuring loudspeakers in

## Certifications and Approvals

### Quality assurance

All Bosch loudspeakers are designed to withstand operating at their rated power for 100 hours in accordance with IEC 268-5 Power Handling Capacity (PHC) standards. Bosch has also developed the Simulated Acoustical Feedback Exposure (SAFE) test to demonstrate that they can withstand two times their rated power for short durations. This ensures extra reliability under extreme conditions, leading to higher customer satisfaction, longer operating life, and much less chance of failure or performance deterioration.

### Safety aspects

In common with all Bosch products, care is taken to meet high safety standards. All ABS parts are self-extinguishing (according to UL 94 V0) This sound projector complies with the relevant safety and installation regulations of EN 60065 and BS 5839 part 8.

Region	Certification	
Europe	CE	Declaration of Conformity
Water-and dust protected	acc. to IEC 60529, IP 65	

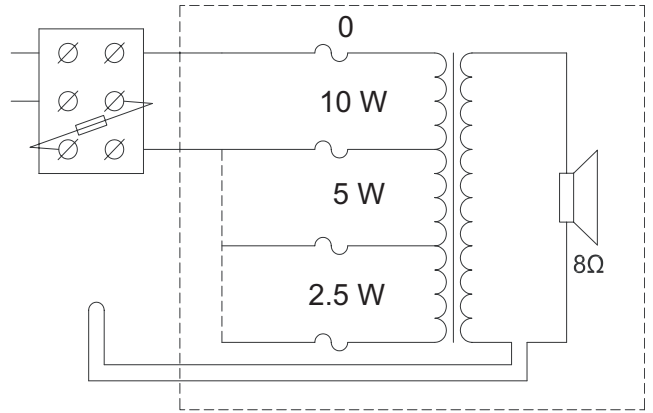
**Installation/Configuration Notes**

**Mounting**

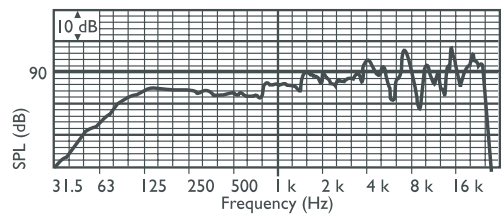
Ease of installation is realized in the way of mounting: first the mounting plate is fixed to the wall or ceiling, secondly a safety cord is attached to the mounting plate, allowing the installer temporarily hang the loudspeaker during installation. After making the connections, the sound projector can be fixed to the mounting plate and the horizontal direction can be fixed. A cover plate covers screws and electrical wiring. The versatile mounting bracket allows the sound projector to be horizontal and vertical directed. The cover plate is provided with 2 cable – or 16 mm conduit entries (covered as standard supplied) in opposite position, suitable for loop-through cabling.

**Power setting**

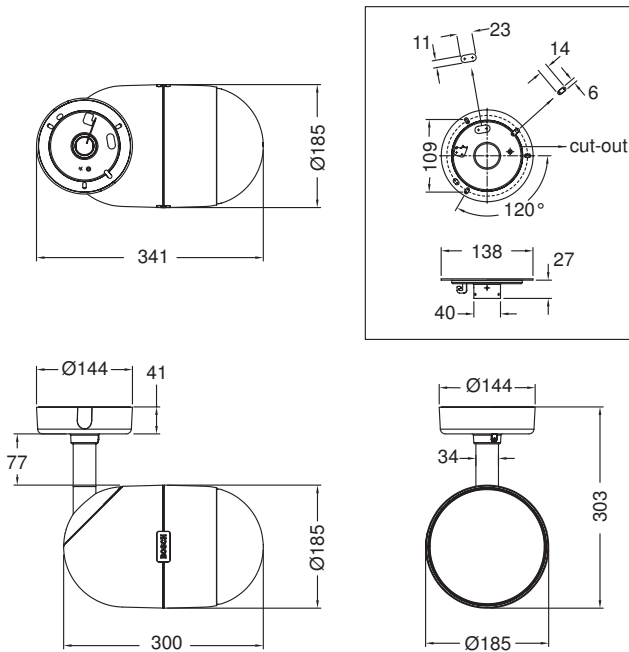
A ceramic terminal for electrical connection is provided. The loudspeaker is standard connected to full power. Half-power or quarter power can be selected by connecting the appropriate color-coded wire to the terminal block.



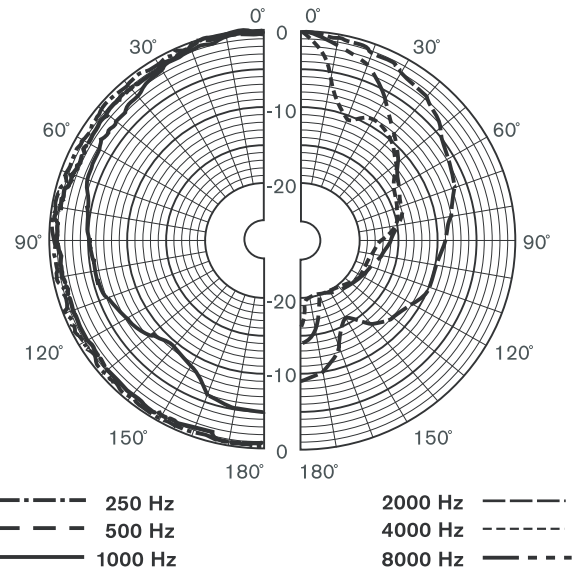
Circuit diagram



Frequency response



Dimensions in mm



Polar diagram (measured in pink noise)

## Technical Specifications

### Electrical\*

Maximum power	15 W
Rated power	10 / 5 / 2.5 W
Sound pressure level at 10 W / 1 W (1kHz, 1 m)	96 dB / 86 dB (SPL)
Opening angle at 1 kHz / 4 kHz (-6 dB)	220° / 65°
Effective frequency range (-10 dB)	75 Hz to 20 kHz
Rated voltage	100 V
Rated impedance	1000 ohm
Connector	3-pole screw terminal

\* Technical performance data acc. to IEC 60268-5

### Mechanical

Dimensions (D x L)	185 x 300 mm (7.3 x 11.8 in)
Weight	3 kg (6.6 lb)
Color	White (RAL 9010)
Material	ABS

### Environmental

Operating temperature	-25 °C to +55 °C (-13 °F to +131 °F)
Storage temperature	-40 °C to +70 °C (-40 °F to +158 °F)
Relative humidity	<95%

## Ordering Information

**LP1-UC10E Unidirectional Sound Projector**    **LP1-UC10E**  
10 W, white ABS

**Americas:**  
Bosch Security Systems, Inc.  
130 Perinton Parkway  
Fairport, New York, 14450, USA  
Phone: +1 800 289 0096  
Fax: +1 585 223 9180  
security.sales@us.bosch.com  
www.boschsecurity.us

**Europe, Middle East, Africa:**  
Bosch Security Systems B.V.  
P.O. Box 80002  
5600 JB Eindhoven, The Netherlands  
Phone: +31 40 2577 284  
Fax: +31 40 2577 330  
emea.securitysystems@bosch.com  
www.boschsecurity.com

**Asia-Pacific:**  
Bosch Security Systems Pte Ltd  
38C Jalan Pemimpin  
Singapore 577180  
Phone: +65 6319 3450  
Fax: +65 6319 3499  
apr.securitysystems@bosch.com  
www.boschsecurity.com

**Represented by**